

TAKSTAR® 得胜



H2 | 小哑铃音箱

Small Dumbbell Speaker

使用手册 | User Manual

H2 小哑铃音箱

■ 前言

尊敬的用户：

感谢您选购得胜H2 &小哑铃音箱，为了您能够更好地了解使用本产品，建议您在使用前仔细阅读本说明书。

若存在有疑问或者您有宝贵的建议，可通过拨打得胜官方服务热线400 6828 333或微信扫描二维码关注得胜官方公众号与我们联系。



■ 产品特性

- 一款时尚便携的K歌娱乐音箱，标志性哑铃外观设计，新颖个性；
- 采用低功耗、高功率D类数字功放，15W功率输出，呈现澎湃开阔听感；
- 配套双无线麦克风，开机自动配对，轻松实现双人互动对唱；
- 采用V5.3无线新技术，稳定连接手机、iPad、笔记本等设备；
- 支持U盘、TF卡、AUX输入等多种播放方式，享受高品质音乐；
- 动态RGB灯效，流光溢彩，随节奏营造沉浸式K歌氛围；
- 一键消原音功能，原声/伴奏快速切换，喊麦更尽兴；
- 音箱内置4000mAh大容量锂电池，满足长时间的续航使用。

■ 适用范围

适用于家庭、办公室、户外旅行、运动、休闲、娱乐等场合

H2 小哑铃音箱

■ 标准配置

- 音箱 1台
- 手持麦克风 2支
- Type-C充电线 1条
- 说明书 1份

■ 技术参数

音箱参数

- 频率响应: 70Hz-20kHz
- 额定功率: 10W
- 峰值功率: 15W
- 扬声器阻抗: 4Ω
- 信噪比: -80dB
- 失真度: $\leq 0.1\%$
- 工作电压: DC 3.3V-4.2V
- 电池规格: 18650 3.7V/4000mAh
- 充电规格: 5V=2A
- 充电时间: 约3小时
- 使用时间: 约6-8小时
- 充电方式: Type-C
- 无线连接版本: 5.3
- 产品尺寸: 约130mm*93mm*168mm
- 单机重量: 约650g

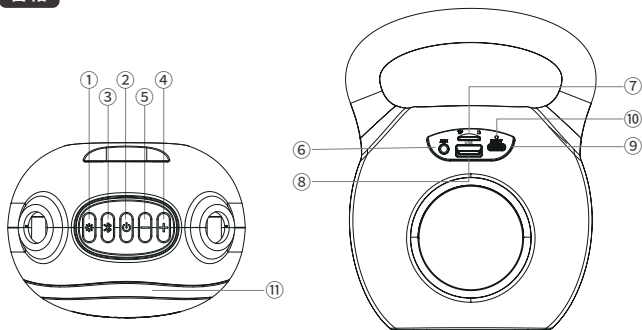
手持麦克风参数

- 拾音器: 背极式驻极体
- 指向性: 单指向
- 频率响应: 60Hz-16kHz
- 灵敏度: $-50\text{dB} \pm 3\text{dB}$
($0\text{dB}=1\text{V}/\text{Pa}$, at 1kHz)
- 电池规格: 3.7V/300mAh
- 充电规格: 5V=1A
- 充电时间: 约1.5小时
- 使用时间: 约5小时
- 单机重量: 约120g

注: 以上数据由得胜实验室测试得到,并拥有最终解释权!

■ 功能示意

音箱



- ① 灯控键：点按切换多种RGB灯效模式，长按开启或关闭灯光效果。
- ② 电源开关：长按2秒开/关机，点按切换功能模式(无线播放模式、AUX模式、U盘模式、TF卡模式)，
注：TF卡和U盘模式需有相应设备接入时才可切换。
- ③ BT键：点按断开无线连接，再次点按自动搜索设备并回连；长按清除音箱已连接配对过的设备无线连接地址码。
- ④ 音量+键：长按切换下一曲；点按增加音量（共有1-8级音量可供调节）。
- ⑤ 音量-键：长按切换上一曲；点按减小音量（共有1-8级音量可供调节）。
- ⑥ AUX接口：通过 $\varnothing 3.5\text{mm}$ 音频线与手机、电脑、平板等播放设备连接。
- ⑦ TF卡接口：将TF卡按照正确插卡方向插入进行音频播放。
- ⑧ U盘接口：将储存有MP3、WAV格式音频文件的U盘插入接口播放。
- ⑨ Type-C充电口：连接Type-C充电线为音箱充电。
- ⑩ 充电指示灯：充电时，红灯常亮；满电后，红灯熄灭；低电时，红灯闪烁。

H2 小哑铃音箱

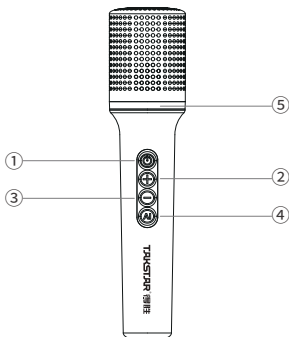
- ⑪ RGB灯效: 音乐频谱律动(随音乐跳动)》七彩变化滚动》三色呼吸灯》蓝灯常亮》灯效关闭。

注: 1. 同时长按音量+键及灯控键, 恢复出厂设置。

2. 连接蓝牙设备后, 连续20分钟无信号输入, 音箱自动关机。

3. 无连接蓝牙设备时, 连续20分钟无信号输入, 音箱自动关机。

手持麦克风



- ① 电源开关: 长按2秒开/关机; 点按切换音效模式(主持、卡通、怪兽、原声、KTV、专业共6种音效模式切换)
- ② 音量+键: 点按增加音量; 调整到最大音量时有提示音(共8级音量可调节)。
- ③ 音量-键: 点按减小音量; 调整到最小音量时有提示音(共8级音量可调节)。
- ④ AI键: 长按开启/关闭消原唱; 点按唤醒小度(前提音箱需连接无线播放设备且无线播放设备有下载小度APP)。
- ⑤ 指示灯: 手持麦未连接时, 蓝灯闪亮; 连接成功后, 蓝/绿/紫色灯呼吸切换; 充电时, 红色呼吸状态亮; 充满电后, 红色呼吸灯熄灭。

注: 1. 当手持麦克风5分钟内无连接音箱, 手持麦克风主动关机。

2. 当手持麦克风连接音箱后如连续无声音信号输入10分钟后, 手持麦克风主动关机。

■ 使用说明

一、无线连接配对方法

首次使用无线连接功能时，需要与手机或其他智能设备配对连接，操作步骤如下：

1. 打开音箱电源开关，点按电源开关键切换到无线播放模式，自动进入搜索配对状态；
2. 开启手机的无线连接功能，搜索“TAKSTAR H2”并点击连接，成功后伴有提示音；
3. 下次开机后，如果是已进行过无线连接，切换到无线播放模式后将自动回连最后一次使用的设备。

二、小度APP下载说明

1. 打开手机微信扫描以下二维码下载小度APP。



■ 安全警示

为避免电击、高温、着火、辐射、爆炸、机械危险以及使用不当等可能造成的人身伤害或财产损失，使用本产品前，请仔细阅读并遵守以下事项：

1. 使用产品时请确认所连设备与本产品是否匹配以及合理调整音量大小，不要在超过产品功率及大音量下长时间使用，以免造成产品异常；
2. 使用中若发现有异常（如冒烟、异味等），请立即关闭电源开关并拔掉电源插头，然后将产品送售后服务网点检修；
3. 消费者若使用电源适配器供电，则应购买配套使用获得CCC认证并满足标准要求电源适配器；
4. 本产品及配件都应放置在室内干燥通风处，请勿长期存放在潮湿、灰尘多的环境，使用中避免靠近火源、雨淋、进水、过度碰撞、抛掷、振动本机及覆盖通风孔，以免损坏其功能；
5. 若产品需要固定于墙壁或天花板时，请确保固定到位，防止因固定强度不足导致产品发生跌落危险；
6. 使用该产品时需遵守相关安全规定，法律法规明确禁止使用场合请勿使用本产品，以免导致意外事故；
7. 请不要自行拆机改装或维修，以防止出现人身伤害，如有问题或服务需求请联系当地售后服务网点跟进处理。

■ 关于图标含义解释



此符号表示，根据WEEE指令(2012/19/EU)和国家法律，由于这种类型的废弃物会有潜在的有害物质，可能对环境 and 人类健康产生负面影响，所以本产品不应与您的家庭垃圾一起处置，应将本产品交由授权的电气和电子设备（WEEE）回收站回收。同时，您在正确处理本产品的同时将有助于自然资源的有效利用。如需了解更多有关您可以在何处放置废物回收设备的信息，请联系您当地的城市办事处、废物管理局或家庭废物处理服务部门。

H2 小哑铃音箱


■ 环保说明

产品中有毒有害物质或元素的名称及含量标识表

部件名称	有毒有害物质或元素									
	铅 (Pb)	汞 (Hg)	镉 (Cd)	六价铬 (Cr(VI))	多溴联苯 (PBB)	多溴二苯醚 (PBDE)	邻苯二甲酸 二正丁酯 (DBP)	邻苯二甲酸 二异丁酯 (DIBP)	邻苯二甲酸 丁基苯酯 (BBP)	邻苯二甲酸 二(2-乙基)己酯 (DEHP)
塑料部件	○	○	○	○	○	○	○	○	○	○
金属部件	×	○	○	○	○	○	○	○	○	○
电路板组件	×	○	○	○	○	○	○	○	○	○
线缆	×	○	○	○	○	○	○	○	○	○

本表格依据SJ/T 11364的规定编制。
○: 表示该有害物质在该部件所有均质材料中的含量均在 GB/T 26572 规定的限量要求以下。
×: 表示该有害物质至少在该部件的某一均质材料中的含量超出 GB/T 26572 规定的限量要求。

此标志为产品的环保使用期限标志，
且此环保使用期限只适用于产品正常工作的温度和湿度等条件。



■ 关于本说明书

本说明书中内容符合截止印刷之日的技术规格。由于得胜公司会不断改进产品，本说明书可能不符合您的特定产品的技术规格。要获取最新版说明书，请访问得胜官网，然后下载说明书文件。技术规格、设备或另售的附件在各个地区可能有所不同，如有问题请与当地得胜销售网点确认。如需更多支持和深层产品信息，请浏览得胜官方网站：<https://www.takstar.com>

版权所有 ©2025 得胜。得胜、TAKSTAR 及其各自标志是得胜公司在中国和/或其他国家/地区的注册商标或商标。所有其它商标均是各自所有者的财产。

注意事项:

1. 本单为保修凭证, 请用户妥善保管, 如有遗失, 恕不保修或退换。
2. 保修期限制: 购买之日起十二个月内。
3. 除了不可抗力事件损坏外, 由本公司负责, 免费维修。
4. 如属保管不善或使用不当造成的损坏, 维修点将酌情收费。
5. 擅自拆卸维修者, 不予保修。
6. 以上保修条款仅限于中国市场适用 (不含港澳台地区)。

产品服务保证书

姓名: _____ 电话: _____ 地址: _____

商品: _____ 型号: _____ 购买日期: _____ 年 ____ 月 ____ 日

维修记录栏 (由维修员填写)	维修员签名	日期

◆ 广东得胜电子有限公司 ◆ 电话: 400-6828-333 ◆ 地址: 广东省惠州市博罗县龙溪街道盖康一路2号

H2 Small Dumbbell Speaker

■ Preface

Dear Customer,

Thanks for purchasing Takstar H2 Small Dumbbell Speaker. Read this manual thoroughly to use the product properly.

If you have any questions or suggestions, please contact our local sales service.

■ Features

- A fashion-forward portable karaoke speaker featuring an iconic dumbbell silhouette design.
- Adopts low consumption and high power Class D digital amplifier, 15W power output delivers a powerful and expansive sound experience.
- Equipped with dual wireless microphones with automatic power-on pairing, making it easy for two people to interact and sing together.
- Utilizes V5.3 wireless new technology to maintain stable connections with mobile phones, iPads, laptops, and other devices.
- Supports multiple playback modes including USB drives, TF cards, and AUX-in for high-quality audio enjoyment.
- Dynamic RGB lighting effects with vivid flowing colors create an immersive karaoke atmosphere to the beat.
- One-tap original vocal removal function with instant original/accompaniment switching to unleash your performance.
- Built-in 4000mAh high-capacity lithium-ion battery for the needs of long-lasting use.

■ Applications

For home, office, outdoor travel, sports, leisure and entertainment.

H2 Small Dumbbell Speaker

■ Package Contents

1 × Speaker

2 × Handheld Microphone

1 × Type-C Charging Cable

1 × User Manual

■ Specifications

Speaker

- Frequency Response: 70Hz - 20kHz
- Rated Power: 10W
- Peak Power: 15W
- Speaker Impedance: 4Ω
- Signal-to-Noise Ratio: -80dB
- Total Harmonic Distortion: $\leq 0.1\%$
- Operating Voltage: DC 3.3V-4.2V
- Battery Spec: 18650 3.7V/4000mAh
- Charging Spec: 5V=2A
- Charging Time: Approx. 3 hours
- Usage Time: Approx. 6-8 hours
- Charging Method: USB-C
- Wireless Connection: V5.3
- Product Dimensions: Approx. 130mm × 93mm × 168mm
- Weight: Approx. 650g

Handheld Microphone

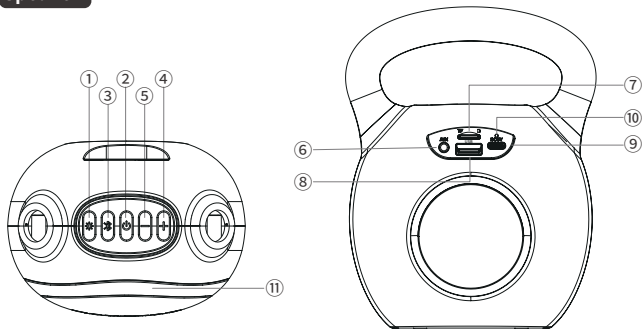
- Transducer: Back-electret condenser
- Directionality: Unidirectional
- Frequency Response: 60Hz - 16kHz
- Sensitivity: $-50\text{dB} \pm 3\text{dB}$
(0dB=1V/Pa, at 1kHz)
- Battery Spec: 3.7V/300mAh
- Charging Spec: 5V=1A
- Charging Time: Approx. 1.5 hours
- Usage Time: Approx. 5 hours
- Weight: Approx. 120g

Note: The above data are measured by Takstar laboratory which has the final interpretation right!

H2 Small Dumbbell Speaker

■ Function Descriptions

Speaker



- ① Light control button: Short press to switch multiple RGB lighting modes. Long press to turn the light effects on or off.
- ② Power switch: Long press for 2 seconds to power on or off. Short press to switch function modes (wireless playback mode, AUX mode, USB flash drive mode, TF card mode).
Note: TF card mode and USB flash drive mode can only be switched when the corresponding devices is connected.
- ③ BT button: Short press to disconnect the wireless connection; short press again to automatically search for devices and reconnect. Long press to clear the wireless connection address codes of devices that the speaker has previously connected and paired with.
- ④ Volume + button: Long press to skip to the next track. Short press to increase the volume (8 volume levels adjustable).

H2 Small Dumbbell Speaker

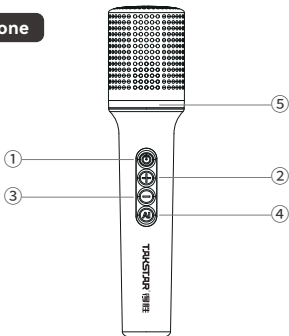
- ⑤ Volume - button: Long press to switch to the previous track. Short press to decrease the volume (8 volume levels adjustable).
- ⑥ AUX port: Connect via a Ø3.5mm audio cable to phones, computers, tablets, etc.
- ⑦ TF card port: Insert the TF card in the correct orientation for audio playback.
- ⑧ USB port: Insert a USB drive containing MP3 or WAV audio files for playback.
- ⑨ Type-C charging port: Connect the Type-C charging cable to charge the speaker.
- ⑩ Charging indicator: Solid red during charging; turns off when fully charged; red light flashes when battery is low.
- ⑪ RGB light effect: Music spectrum rhythm (pulsing to the music) » Seven-color changing and scrolling » Three-color breathing light » Blue light steady on » Light effect off.

Notes:

1. Long press both the volume + button and light control button simultaneously to restore factory settings.
2. After connecting to a Bluetooth device, the speaker will automatically power off if there is no signal input for 20 consecutive minutes.
3. When not connected to a Bluetooth device, the speaker will automatically power off if there is no signal input for 20 consecutive minutes.

H2 Small Dumbbell Speaker

Handheld Microphone



- ① Power switch: Long press for 2 seconds to power on or off. Short press to switch sound effect modes (6 modes available: host, cartoon, monster, original, KTV, and professional).
- ② Volume + button: Short press to increase volume. A prompt tone will sound when the maximum volume is reached (8 volume levels adjustable).
- ③ Volume - button: Short press to decrease volume. A prompt tone will sound when the minimum volume is reached (8 volume levels adjustable).
- ④ AI button: Long press to enable/disable original vocal cancellation. Short press to wake up Xiaodu (Note: The speaker must be connected to a wireless playback device with the Xiaodu APP installed).
- ⑤ Indicator light: When the handheld microphone is not connected, the blue light flashes; upon successful connection, the blue, green and purple lights switch in a breathing pattern; during charging, the red light lights up in a breathing pattern; after full charge, the red breathing light turns off.

H2 Small Dumbbell Speaker

Notes:

1. The handheld microphone will automatically power off if it remains unconnected to the speaker for 5 minutes.
2. The handheld microphone will automatically power off if no audio signal is input for 10 consecutive minutes after connecting to the speaker.

■ Operating Instructions

I. Wireless Connection Pairing

To use the wireless connection feature for the first time, follow these steps to pair with your mobile device or other smart devices:

1. Turn on the speaker's power switch, then short-press the power switch to switch to wireless playback mode, and it will automatically enter the pairing search state.
2. Enable the wireless connection function on your phone, search for "TAKSTAR H2" and tap to connect. A prompt tone will sound upon successful connection.
3. When the device is powered on next time, if a wireless connection has been established before, switching to wireless playback mode will automatically reconnect to the last used device.

II. Xiaodu APP Download Instructions

1. Open the WeChat app on your smartphone and scan the QR code below to download Xiaodu APP.



■ Safety Instructions

To avoid electric shock, overheat, fire, radiation, explosion, mechanical risk and injury or property loss due to improper use, please read and observe the following items before use:

1. Please check if the power of the connected equipment matches with that of this product before operation. Adjust the volume to proper level during operation. Do not operate at over-power or high-volume level for extended time to avoid product malfunction.
2. If there is any abnormality during use (e.g., smoke, strange odor), please kill the power switch and unplug from power source, then send the product to the local after-sales service for repair.
3. Power adapter used, if any, should be approved by CCC certification or similar standards and comply with the power supply requirements.
4. Keep this product and its accessories in a dry and ventilated area. Do not store in a humid or dusty area for extended time. Keep away from fire, rain, liquid intrusion, bumping, throwing, vibrating, or from blocking any ventilation openings, to prevent malfunction.
5. The product must, when installed on walls or ceilings, be fixed firmly in place at adequate strength to prevent from falling.
6. Please abide by safety rules during operation. Do not use the product in places prohibited by laws or regulations to avoid accident.
7. Do not disassemble or repair the product by yourself to avoid injury. If you have any questions or require any services, please contact our local after-sales service.

H2 Small Dumbbell Speaker

■ Label Meanings



This symbol indicates that this product should not be disposed of with your household waste, according to the WEEE directive (2012/19/EU) and your national law. This product should be handed over to an authorized collection site for recycling waste electrical and electronic equipment (WEEE). Improper handling of this type of waste could have a possible negative impact on the environment and human health due to potentially hazardous substances that are generally associated with WEEE. At the same time, your cooperation in the correct disposal of this product will contribute to the effective usage of natural resources. For more information about where you can drop off your waste equipment for recycling, please contact your local city office, waste authority, or your household waste disposal service.

■ About This Manual

This manual contains up-to-date technical specifications as of printing. However, specifications contained herein may not conform to your particular product since Takstar is constantly improving its products. Also, specifications, devices or accessories available may vary from region to region. If you have any questions, please contact our local sales outlet. For the latest version/more information, please visit our website: <https://www.takstar.com/>

Copyright ©2025 TAKSTAR. TAKSTAR, 得胜 and their respective logos are registered trademarks or trademarks of Takstar company in the PRC, and/or other countries. All other trademarks are the property of their respective owners.



扫一扫, 了解更多产品
Scan for more
product information

广东省电声工程技术研究开发中心 广东得胜电子有限公司制造

地址: 广东省惠州市博罗县龙溪街道富康一路2号

服务热线: 400 6828 333 传真: 0752 6383950

邮箱: xs@takstar.com

网址: www.takstar.com

Designed & Manufactured by:

Guangdong Takstar Electronic Co., Ltd.

Address: No.2 Fu Kang Yi Rd., Longxi Boluo
Huizhou, Guangdong 516121 China

Tel: 86 752 6383644 Fax: 86 752 6383952

Email: sales@takstar.com

Website: www.takstar.com